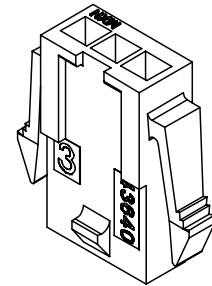


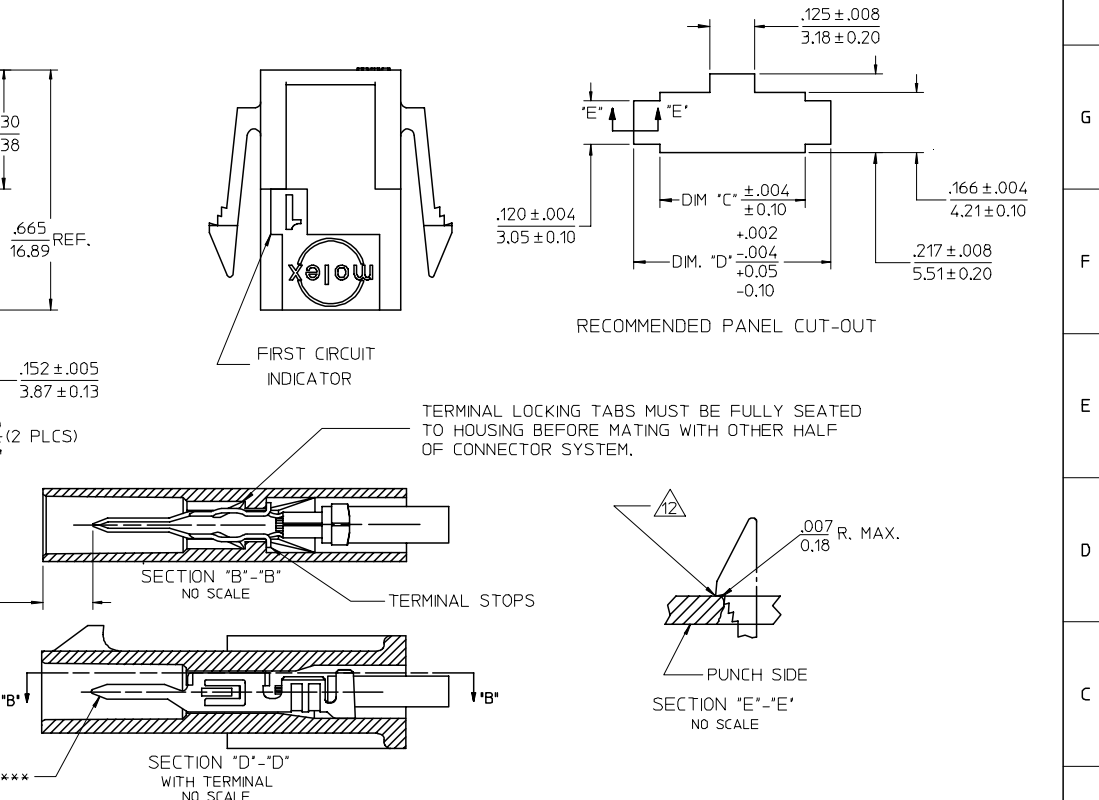
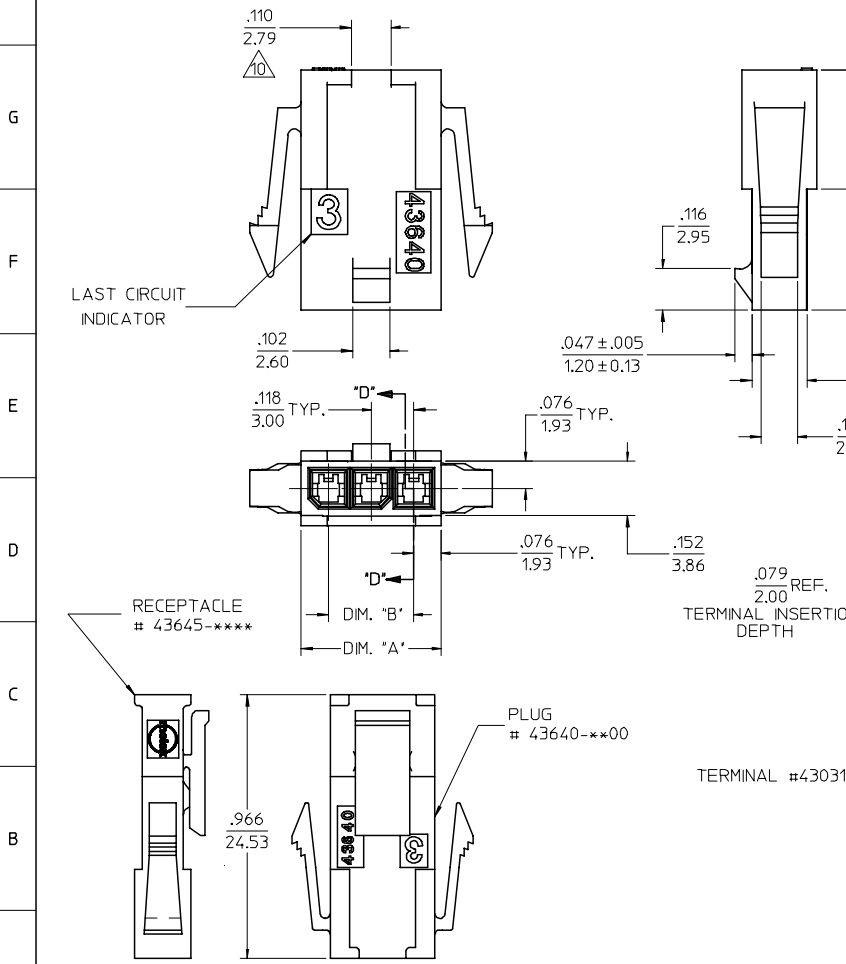
| X-CONTACT FACTORY | ASSEMBLY ITEM NUMBER | PART CHARACTERISTICS NUMBER OF POSITION |
|-------------------|----------------------|---|
| | | |
| 43640-0300 | 03 | |
| 43640-0400 | 04 | |
| 43640-0500 | 05 | |
| 43640-0600 | 06 | |
| X 43640-0700 | 07 | |
| X 43640-0800 | 08 | |
| X 43640-0900 | 09 | |
| X 43640-1000 | 10 | |
| X 43640-1100 | 11 | |
| X 43640-1200 | 12 | |

| CKT. NO. | DIM. "A" | DIM. "B" | DIM. "C" | DIM. "D" |
|----------|-------------|-------------|-------------|-------------|
| 2 | .270/6.85 | .118/3.00 | .284/7.21 | .429/10.90 |
| 3 | .388/9.85 | .236/6.00 | .402/10.21 | .547/13.89 |
| 4 | .506/12.85 | .354/9.00 | .520/13.21 | .665/16.89 |
| 5 | .624/15.85 | .472/12.00 | .638/16.21 | .783/19.89 |
| 6 | .742/18.85 | .591/15.00 | .756/19.21 | .901/22.89 |
| 7 | .860/21.85 | .709/18.00 | .874/22.20 | 1.019/25.88 |
| 8 | .978/24.85 | .827/21.00 | .992/25.20 | 1.137/28.88 |
| 9 | 1.096/27.85 | .945/24.00 | 1.110/28.20 | 1.255/31.88 |
| 10 | 1.215/30.85 | 1.063/27.00 | 1.229/31.22 | 1.373/34.87 |
| 11 | 1.333/33.85 | 1.181/30.00 | 1.347/34.22 | 1.491/37.87 |
| 12 | 1.451/36.85 | 1.299/33.00 | 1.465/37.22 | 1.609/40.87 |

- NOTES:
- HOUSING MATERIAL: UNFILLED POLYESTER, RATED UL94V-0
COLOR IS BLACK
 - FINISH: NONE
 - PRODUCT SPECIFICATION: PS-43650
 - PACKAGING SPECIFICATION: NONE
 - THIS HOUSING MATES WITH MICRO-FIT RECEPTACLE #43645-****.
 - THIS HOUSING IS DESIGNED IN METRIC
 - THIS HOUSING TO BE USED WITH MOLEX MALE TERMINAL #43031-****.
 - PLUG DESIGNED FOR .062/1.57 TO .090/2.30 THICK STAMPED PANEL OR P.C. BOARD.
 - SEE SECTION "D"- "D" FOR TERMINAL ORIENTATION IN HOUSING.
 - THIS DIMENSION APPLIES TO PLUG CKT. SIZES 2 THRU 12 ONLY.
 - SEE SHEET 2 FOR PLUG WITHOUT PANEL MOUNTS.
 - PANEL MOUNT FEATURES MUST LOCK ON SIDE OPPOSITE PUNCH SIDE FOR OPTIMUM RETENTION.
 - THIS PART CONFORMS TO CLASS B REQUIREMENTS OF COSMETIC SPECIFICATION PS-45499-002.



PLUG WITH PANEL MOUNTS



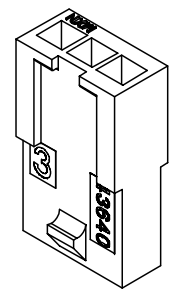
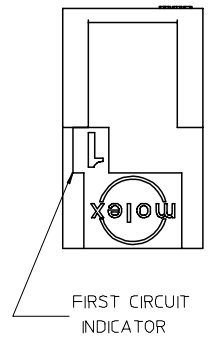
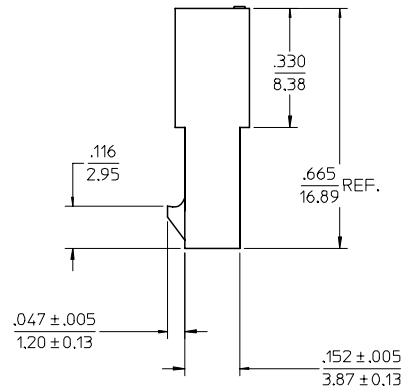
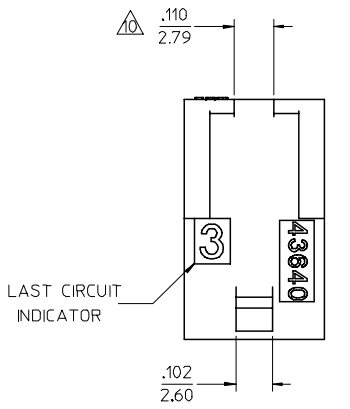
TERMINAL LOCKING TABS MUST BE FULLY SEATED TO HOUSING BEFORE MATING WITH OTHER HALF OF CONNECTOR SYSTEM.

MATED MICRO-FIT CONNECTOR

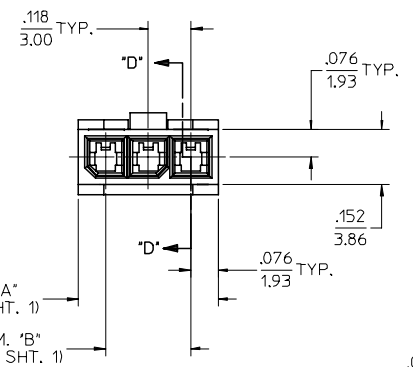
| | | | | | | |
|---|-----------------------------|--|-------------------|---|---------------------|------------------------|
| REVISED & REDRAWN FC NO: UCP2007-2606 DRAWN/PRI/DER 2007/05/03 CHKD:SSOUSEK 2007/05/04 APPR:FSM TH 2007/05/08 | QUALITY SYMBOLS =0 =0 | GENERAL TOLERANCES (UNLESS SPECIFIED) | DIMENSION STYLE | SCALE | DESIGN UNITS | THIRD ANGLE PROJECTION |
| | | 4 PLACES ± --- ± --- 3 PLACES ± --- ± .010 2 PLACES ± 0.25 ± .014 1 PLACE ± 0.35 ± --- ANGULAR ± 5 ° | IN/MM | 4:1 | METRIC | ⊙ □ |
| MATERIAL NO. DRAWING NO. | DRAWN BY AUG | DATE 1996/01/19 | CHECKED BY BAP | DATE 1996/01/19 | APPROVED BY R/JF | DATE 1996/01/19 |
| | | | | | | |
| DRAFT WHERE APPLICABLE MUST REMAIN WITHIN DIMENSIONS | | SEE CHART | | THIS DRAWING CONTAINS INFORMATION THAT IS PROPRIETARY TO MOLEX INCORPORATED AND SHOULD NOT BE USED WITHOUT WRITTEN PERMISSION | | |

13 12 11 10 9 8 7 6 5 4 3 2 1

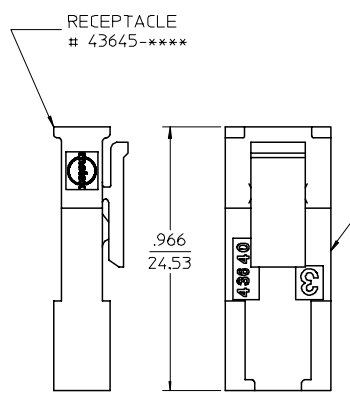
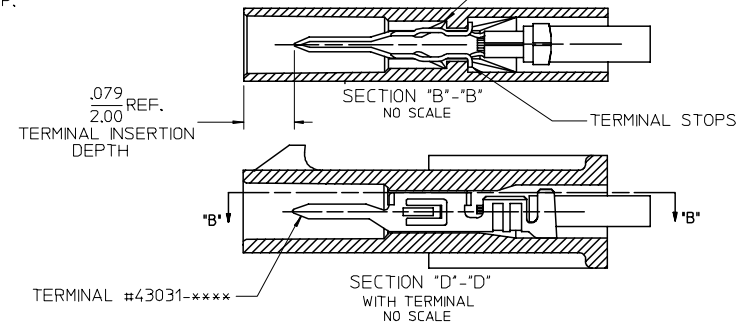
| X-CONTACT FACTORY | ASSEMBLY ITEM NUMBER | PART CHARACTERISTICS | |
|-------------------|----------------------|----------------------|--|
| | | NUMBER OF POSITION | |
| | 43640-0201 | 02 | |
| | 43640-0301 | 03 | |
| | 43640-0401 | 04 | |
| | 43640-0501 | 05 | |
| I | 43640-0601 | 06 | |
| X | 43640-0701 | 07 | |
| X | 43640-0801 | 08 | |
| X | 43640-0901 | 09 | |
| X | 43640-1001 | 10 | |
| X | 43640-1101 | 11 | |
| X | 43640-1201 | 12 | |



PLUG WITHOUT PANEL MOUNTS



TERMINAL LOCKING TABS MUST BE FULLY SEATED TO HOUSING BEFORE MATING WITH OTHER HALF OF CONNECTOR SYSTEM.



MATED MICRO-FIT CONNECTOR

| | | | | | | | | | |
|--|-------------------------------|---|------------------------|------------------------|-----------------------|---------------------------|--------------|------------------------|--------|
| REVISED & REDRAWN FC NO: UCP2007-2606 DRAWN/PR/DER 2007/05/03 CHKD:SSOUSEK 2007/05/04 APPR:FSM TH 2007/05/08 | QUALITY SYMBOLS ▽=0 ▽=0 | GENERAL TOLERANCES (UNLESS SPECIFIED) | | DIMENSION STYLE | | SCALE | DESIGN UNITS | THIRD ANGLE PROJECTION | |
| | | 4 PLACES ± .005 ± .005 | 3 PLACES ± .010 ± .010 | 2 PLACES ± 0.25 ± .014 | 1 PLACE ± 0.35 ± .014 | IN/MM | | 4:1 | METRIC |
| MATERIAL NO. DRAWN/PR/DER 2007/05/03 CHKD:SSOUSEK 2007/05/04 APPR:FSM TH 2007/05/08 | DESCRIPTION | DRAFT WHERE APPLICABLE MUST REMAIN WITHIN DIMENSIONS | | SEE CHART | | MOLEX INCORPORATED | | SHEET NO. 2 OF 2 | |
| | | THIS DRAWING CONTAINS INFORMATION THAT IS PROPRIETARY TO MOLEX INCORPORATED AND SHOULD NOT BE USED WITHOUT WRITTEN PERMISSION | | SD-43640-**** | | MATERIAL NO. DOCUMENT NO. | | SHEET NO. 2 OF 2 | |

12 11 10 9 8 7 6 5 4 3 2 1